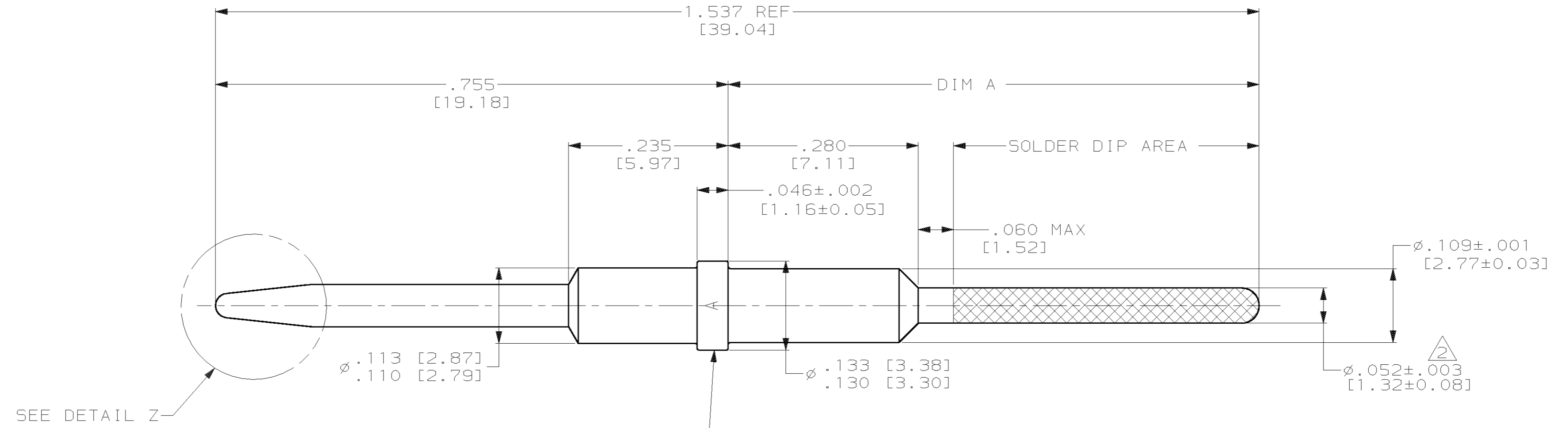


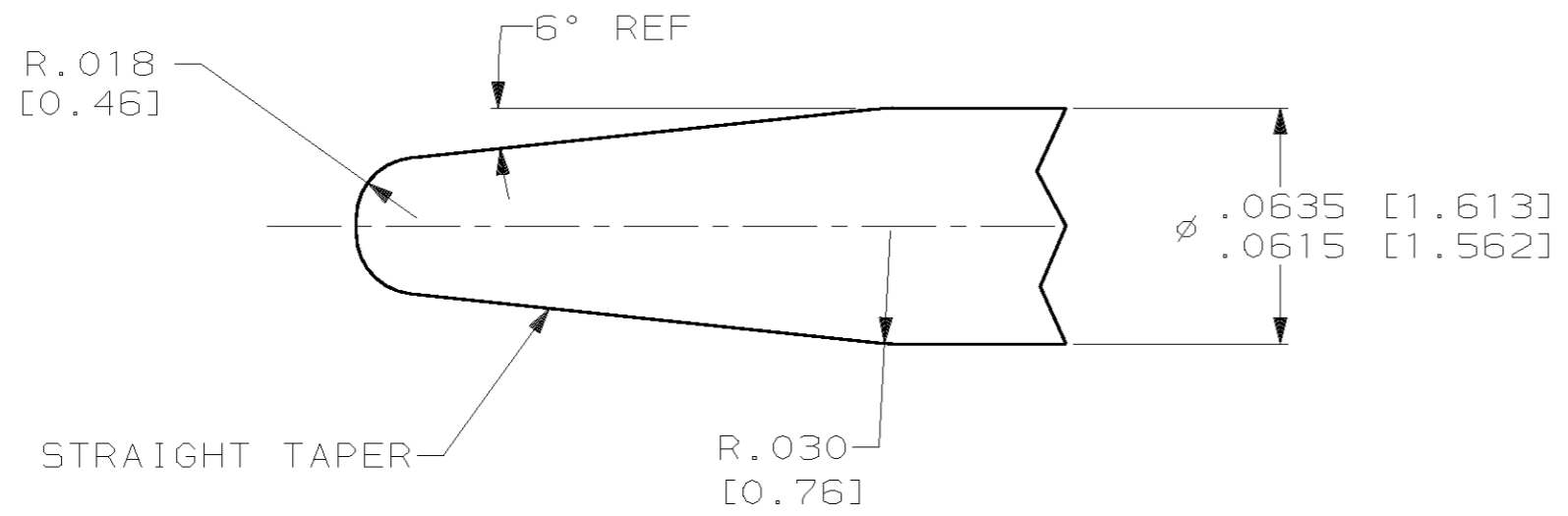
THIS DRAWING IS UNPUBLISHED. RELEASED FOR PUBLICATION .19
 (C) COPYRIGHT 19 BY AMP INCORPORATED. ALL RIGHTS RESERVED.

LOC		DIST		REVISIONS			
P	LTR	DESCRIPTION	DATE	DWN	APVD		
	B	REV PER 063D-0517-03	9-11-03	JMK	SG		

- 1. FOR USE IN ARINC 600 REAR RELEASE INSERT.
- 2. DIMENSIONS APPLY BEFORE SOLDER DIP.



MAT'L: LEADED COPPER PER ASTM-B-301
 FINISH: PLATED GOLD .000050 [0.0012] MIN THK
 PER ASTM-B-488 OVER NICKEL .000050 [0.0012]
 MIN THK. PER QQ-N-290



.522 [13.26]	NO	1-1663128-0
.652 [16.56]	NO	1663128-8
.635 [16.13]	YES	1663128-6
.635 [16.13]	NO	1663128-5
.782 [19.86]	YES	1663128-3
.782 [19.86]	NO	1663128-2
DIM A	SOLDER DIP	PART NUMBER

THIS DRAWING IS A CONTROLLED DOCUMENT.		DWN	C.C. THOMAS	11-19-02	tyco Electronics	TYCO Electronics Harrisburg, PA 17105-3608
DIMENSIONS: INCHES [mm]		CHK	S. GLATFELTER	11-19-02		
TOLENCES UNLESS OTHERWISE SPECIFIED:		APVD	S. GLATFELTER	11-19-02	NAME PIN CONTACT, POSTED, SIZE 16, REAR RELEASE, ARINC 600	
0 PLC ±-		PRODUCT SPEC	-			
1 PLC ±-		APPLICATION SPEC	-			
2 PLC ±-		WEIGHT	-			
3 PLC ±.005 [0.13]		SCALE	A2 00779		C=	1663128
4 PLC ±-		CUSTOMER DRAWING	SCALE	8:1		SHEET 1 OF 1
ANGLES ±-		RESTRICTED TO	REV B			